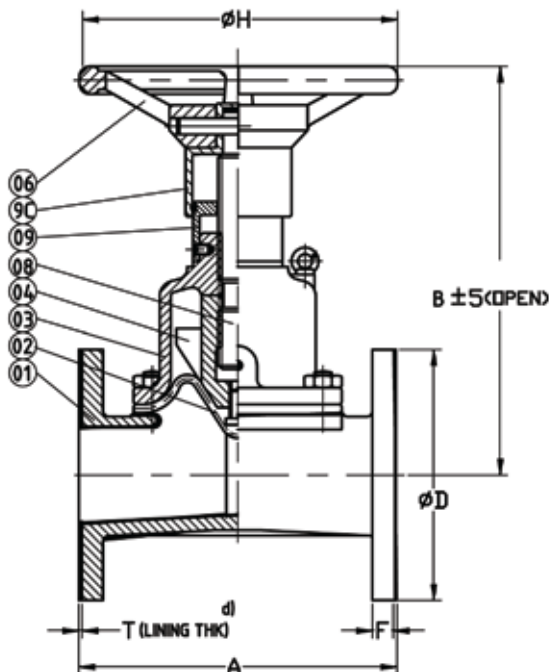


Diaphragm Valve Straight Through Type

Features

- Flange PN10/16 (555) or ASA150 (565)
- Cast Iron Body Lined
- Rising Handwheel Indicator Bonnet



Diaphragm Available	Temperature Range
Grade A - Natural Rubber	-30°C to +80°C
Grade EP - EPDM	-30°C to +150°C
Grade R - Nitrile	-10°C to +90°C
Grade N - Neoprene	-25°C to +95°C
Grade B - Butyl	-25°C to +120°C
Grade H - Hypalon	-15°C to +100°C
Grade V - Viton	-5°C to +150°C

Technical Data	
15mm to 100mm	125mm to 200mm
10 bar	6 bar

Liners Available	Temperature Range
BUTYL Lined	-10°C to +120°C
Neoprene Lined	-10°C to +105°C
Natural/Ebonite	-10°C to +85°C

N.	Part Name	Materials
1	Body	Cast Iron Lined
2	Diaphragm	As per list
3	Bonnet	Cast Iron
4	Compressor	Cast Iron
6	Handwheel	Cast Iron
8	Stem	Stainless Steel 410
9	Indicator	Cast Iron
9C	Indicator Cap	Cast Iron

DN	15	20	25	32	40	50	65	80	100	125	150	200
A	108	117	127	146	159	190	216	254	305	356	406	521
B (open)	115	125	150	150	150	190	225	285	315	380	485	540
ϕD	95	105	115	140	150	165	185	200	229	254	285	434
F	12	12	12	15	15	17.5	18	19	23.8	23.8	20	22
ϕH	80	80	120	120	120	120	250	250	315	315	400	400
T	3	3	3	3	3	3	3	3	4	4	4	4
Kgs	2.8	3.3	4.2	4.8	5.5	10	15	25	32	55	85	146

Dimensions in mm

This data sheet is designed as a guide and should not be regarded as wholly accurate in every detail. We reserve the right to amend the specification of any product without notice.